

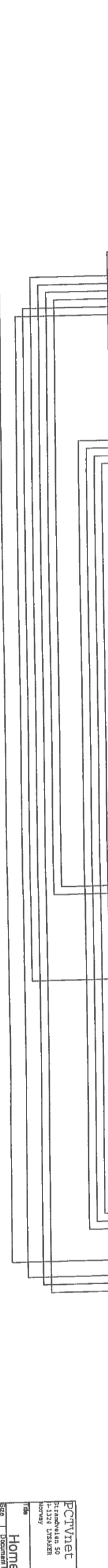
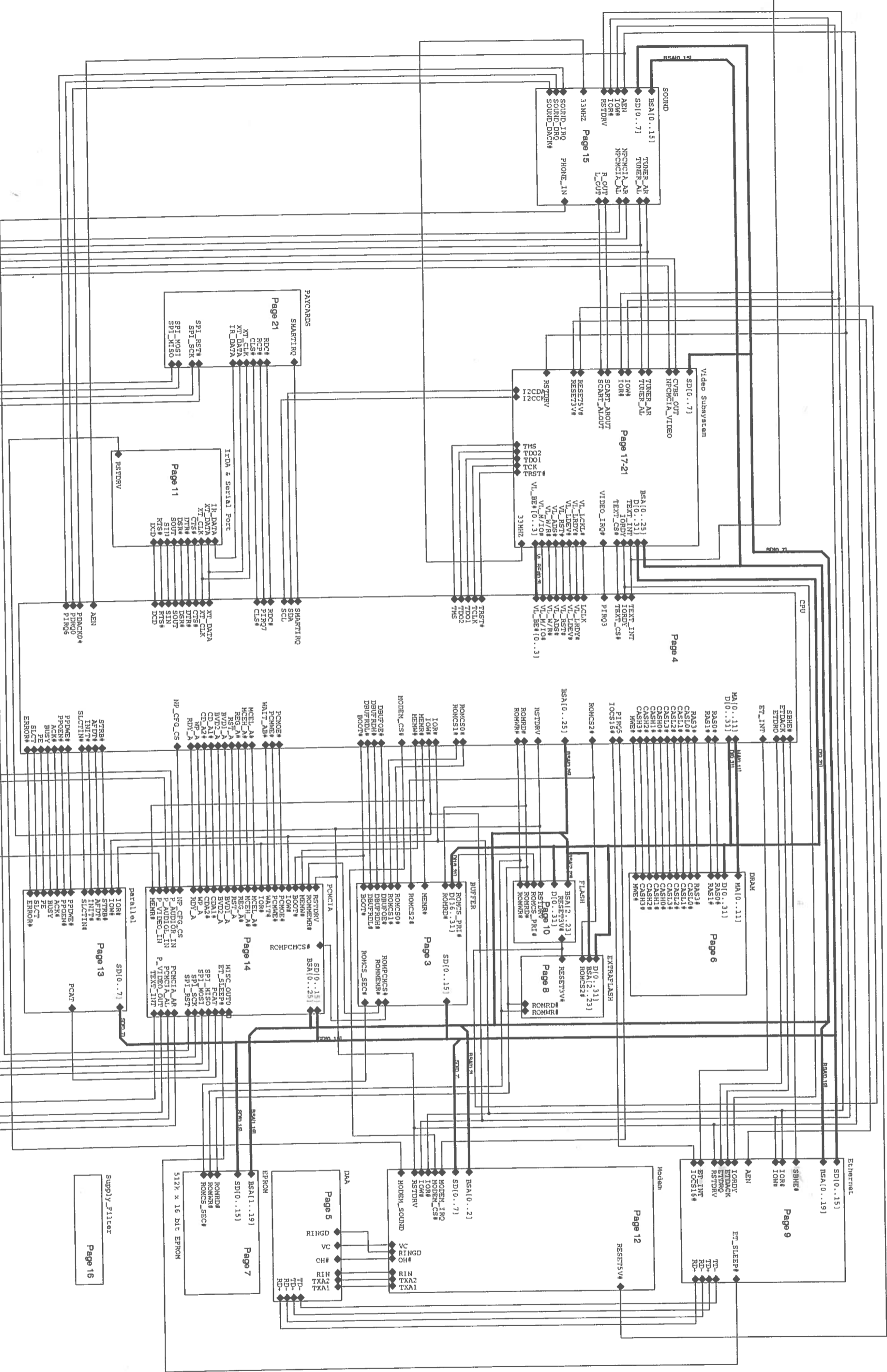
Configuration

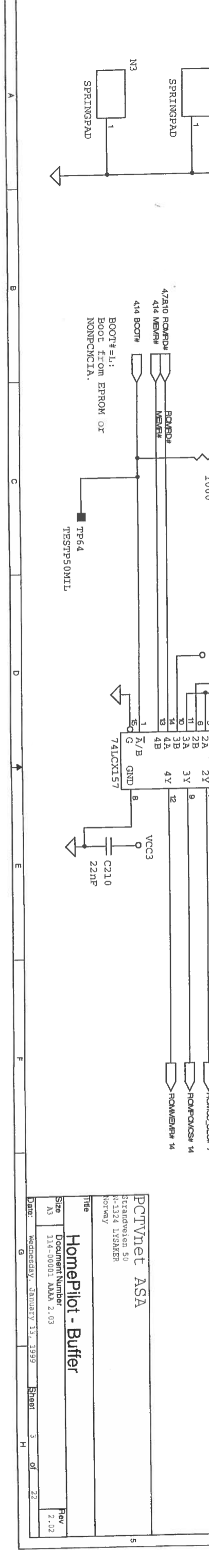
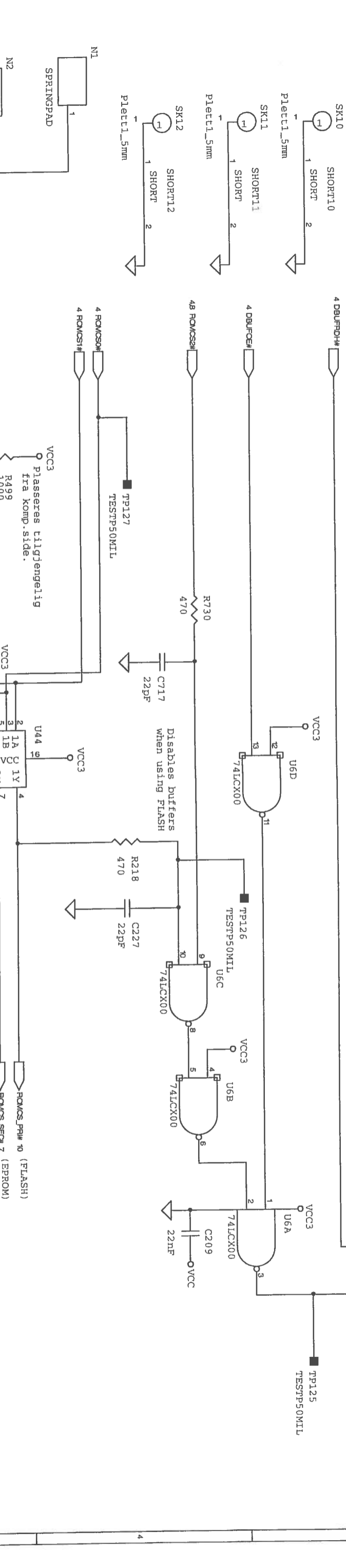
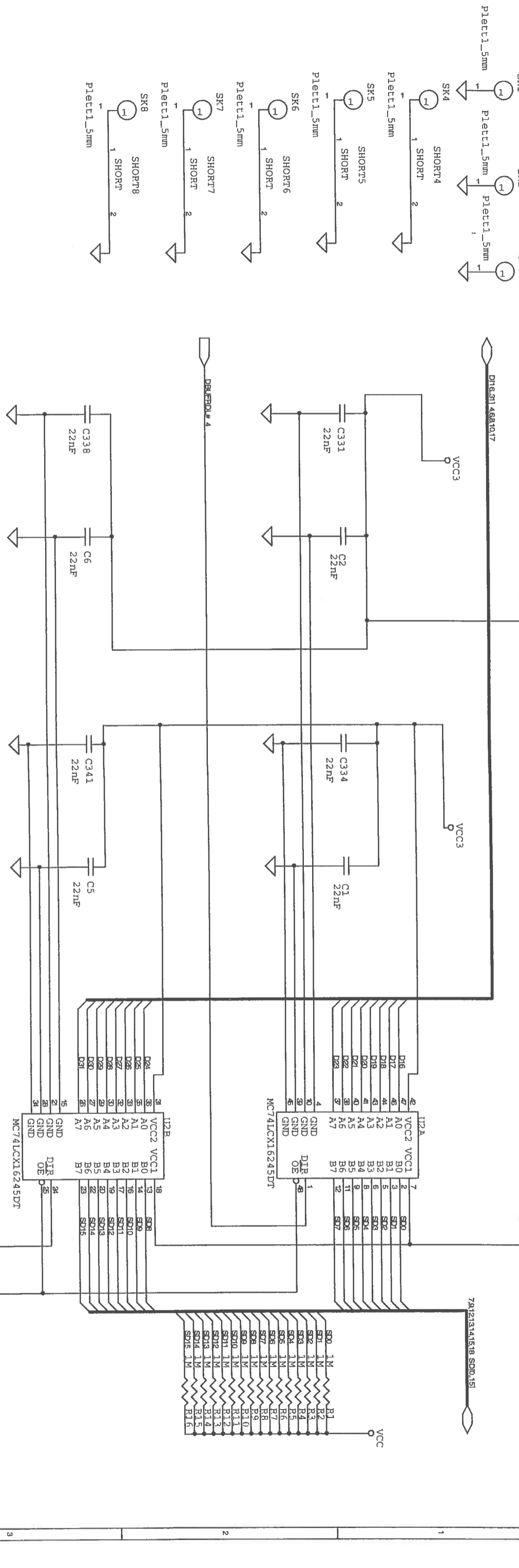
Release Date	Engineer	Mikes/Medhus	980831	981124	990112															
	Configuration Sheet		2.01	2.02	2.03															
	SB2.SCH	2.0	2.01	2.02	2.03															
	BUFFER.SCH	2.0	2.01	2.02	2.03															
	CPU.SCH	2.0	2.01	2.02	2.03															
	DAA.SCH	2.0	2.01	2.02	2.03															
	DRAM.SCH	2.0	2.0	2.0	2.0															
	EPPROM.SCH	2.0	2.01	2.01	2.01															
	FLASH.SCH	2.0	2.0	2.02	2.02															
	EXTRAF.LASH.SCH	2.0	2.0	2.02	2.02															
	IRDA.SCH	2.0	2.01	2.02	2.02															
	Modem.SCH	2.0	2.01	2.02	2.03															
	PARALLEL.SCH	2.0	2.0	2.02	2.02															
	PCMCIA.SCH	2.0	2.01	2.02	2.02															
	Sound	2.0	2.0	2.02	2.03															
	Supply_Filter	2.0	2.01	2.02	2.03															
	Video Accelerator	2.0	2.01	2.02	2.03															
	Video Capture	2.0	2.01	2.02	2.02															
	Video Memory	2.0	2.0	2.02	2.02															
	Video Subsystem	2.0	2.0	2.02	2.02															
	PAVCARD.SCH	2.0	2.01	2.02	2.03															
	Ethernet			2.02	2.03															
	Video Block Diagram	2.0	2.0	2.0	2.0															

PCTVnet ASA
 Strandveien 50
 N-1324 LYSAKER
 Norway

HomePilot Config Sheet

Size: A3 Document Number: 114-00001 AXXA 2.03
 Date: Wednesday, January 13, 1999 Sheet: 1 of 22 Rev: 2.04

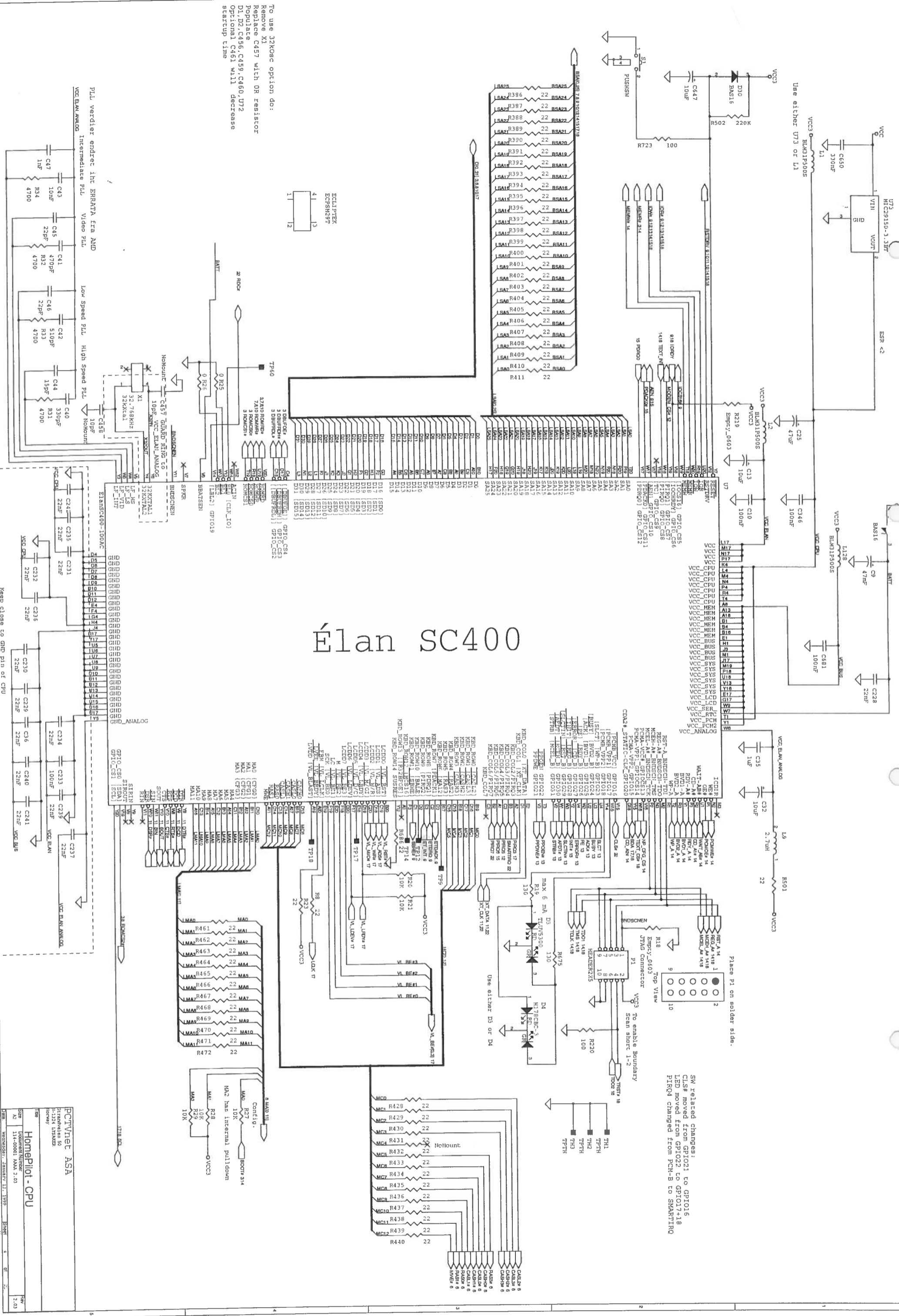




PCTVnet ASA	
Skriveveien 50	
N-1324 LISAKER	
NOTWAY	
Title	HomePilot - Buffer
Size	Document Number
A3	114-00001 AAAA 2.03
Date:	Wednesday, January 13, 1999
Sheet	3 of 22
Rev	2.02

Élan SC400

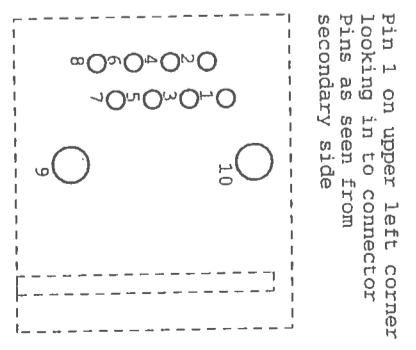
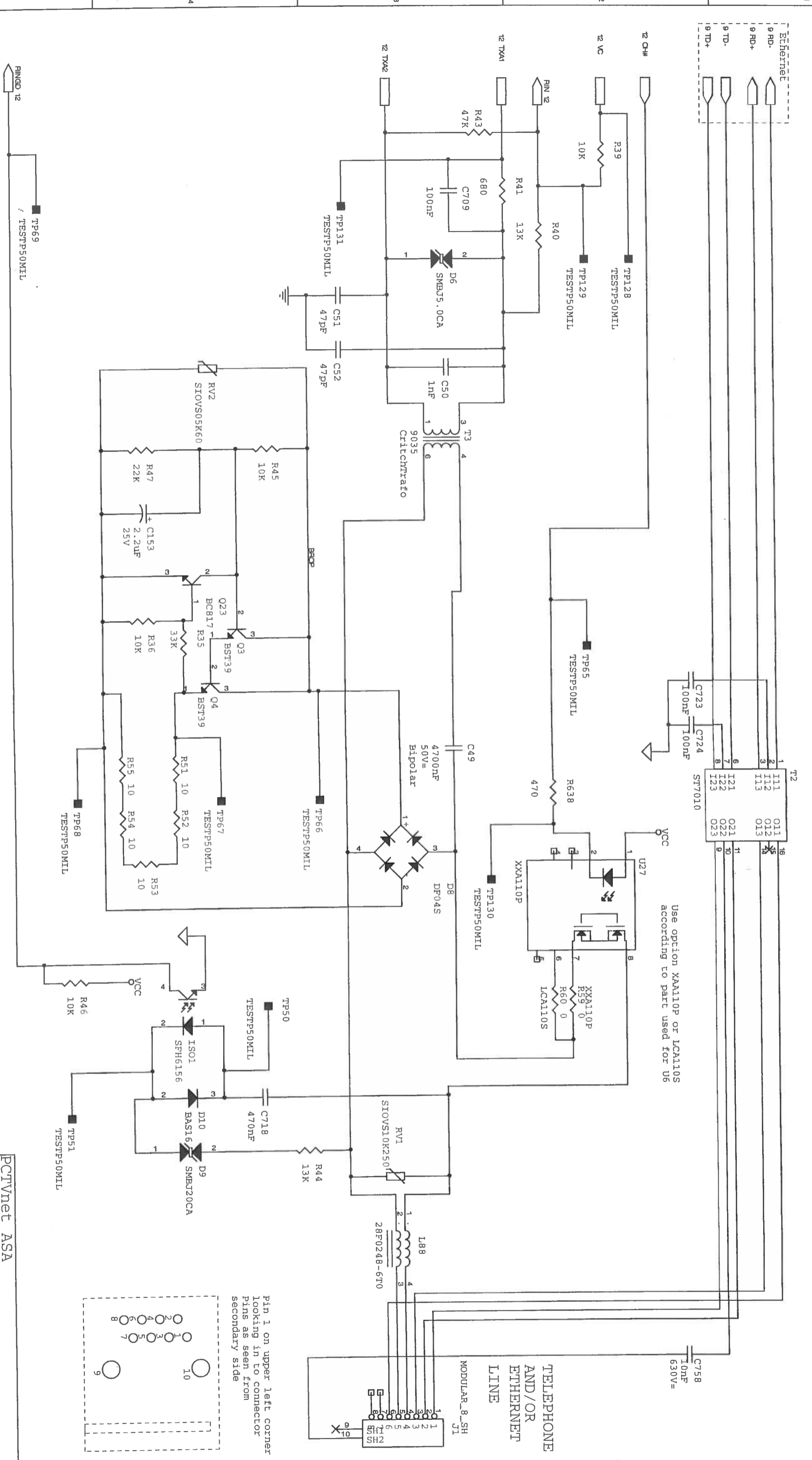
To use 32KHz option do:
 Remove X1
 Replace C457 with 0R resistor
 Populate
 D1, D2, C456, C459, C460, U72
 Optional C461 will decrease
 startup time

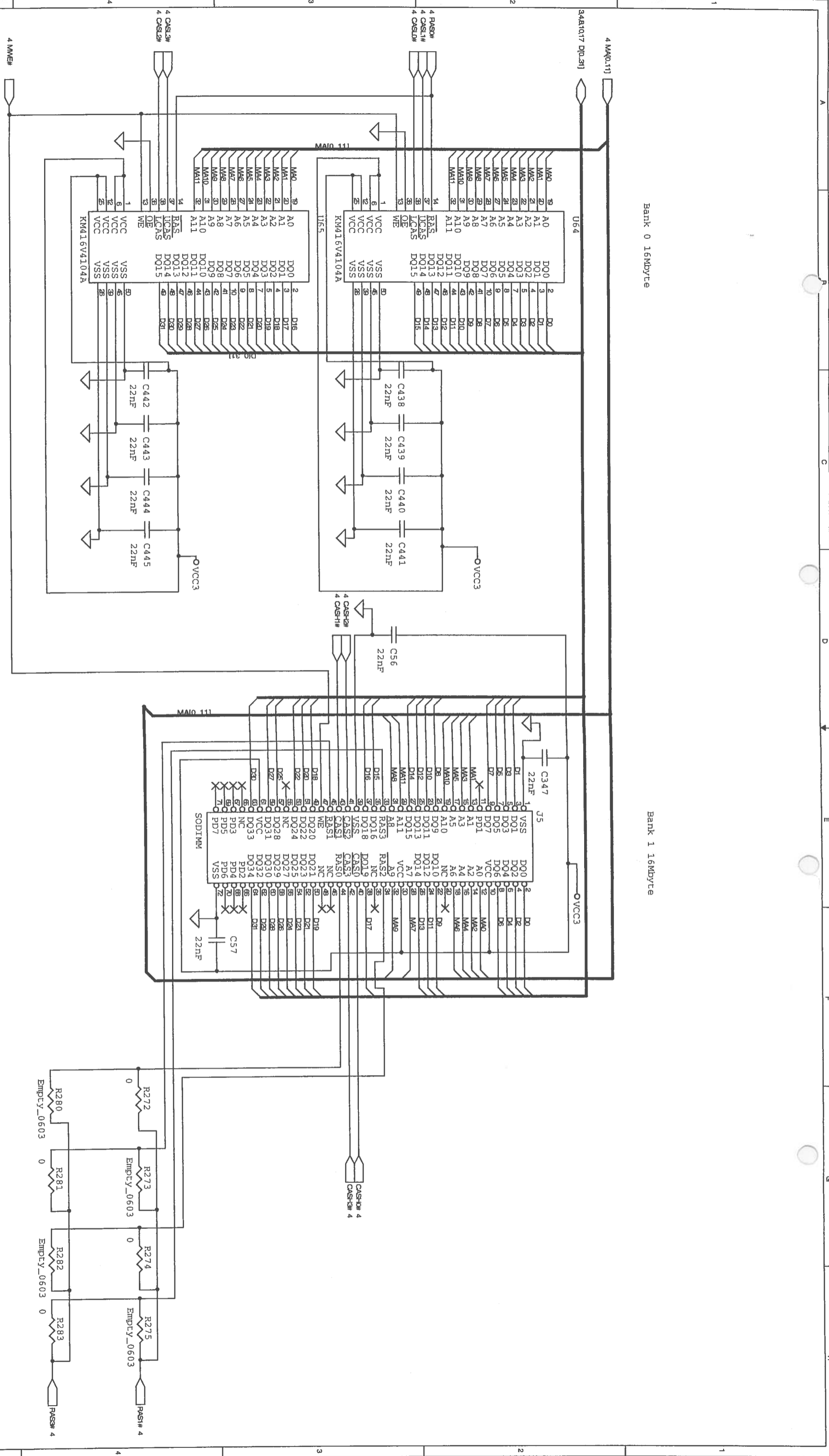


Place P1 on solder side.
 SW related changes:
 CIS# moved from GPIO21 to GPIO16
 LED moved from GPIO22 to GPIO17+18
 PIRQ4 changed from PCW-B to SMARTIRQ

PCTVnet ASA
 HomePilot - CPU
 Version: 1.00
 Document Number: 114-00001, Rev. 1.00
 Date: 11/19/99

MODEM DAA
4mm avstand i utlegg t11
alt annet!





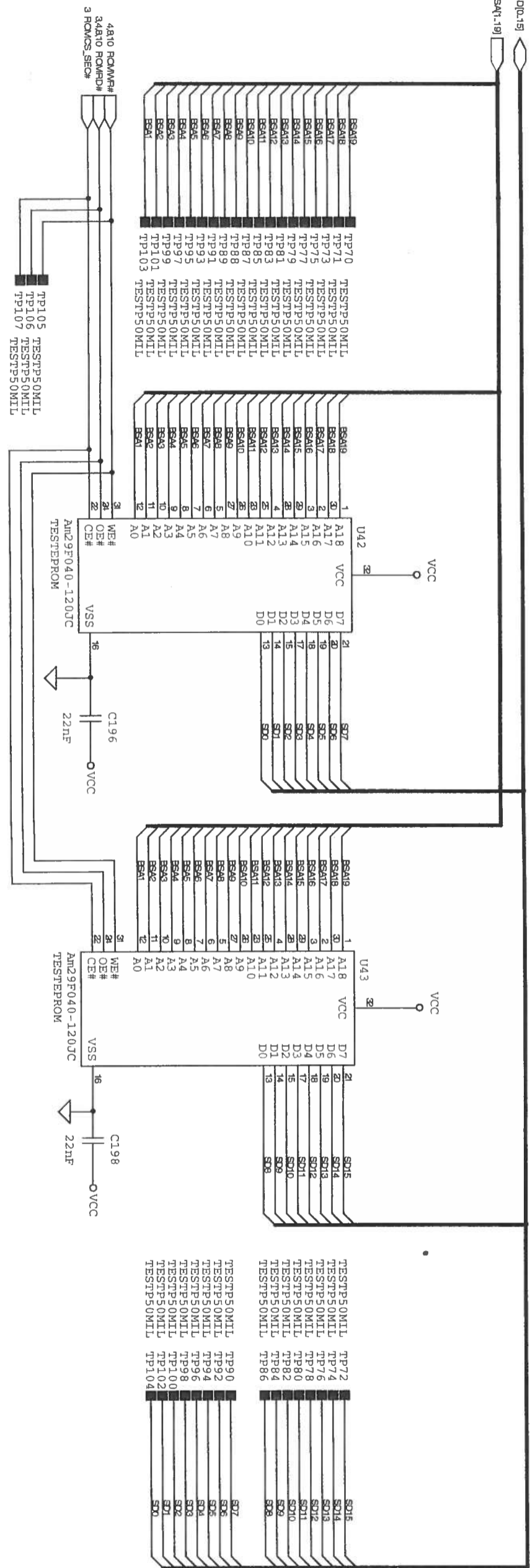
Bank 0 16Mbyte

Bank 1 16Mbyte

PCTVmet ASA
 Strandveien 50
 N-1324 LYSAKER
 Norway

HomePilot - DRAM

Title: HomePilot - DRAM
 Size: A3
 Document Number: 114-00001 AAAA 2.03
 Date: Wednesday, January 13, 1999
 Sheet 6 of 22
 Rev: 2.00



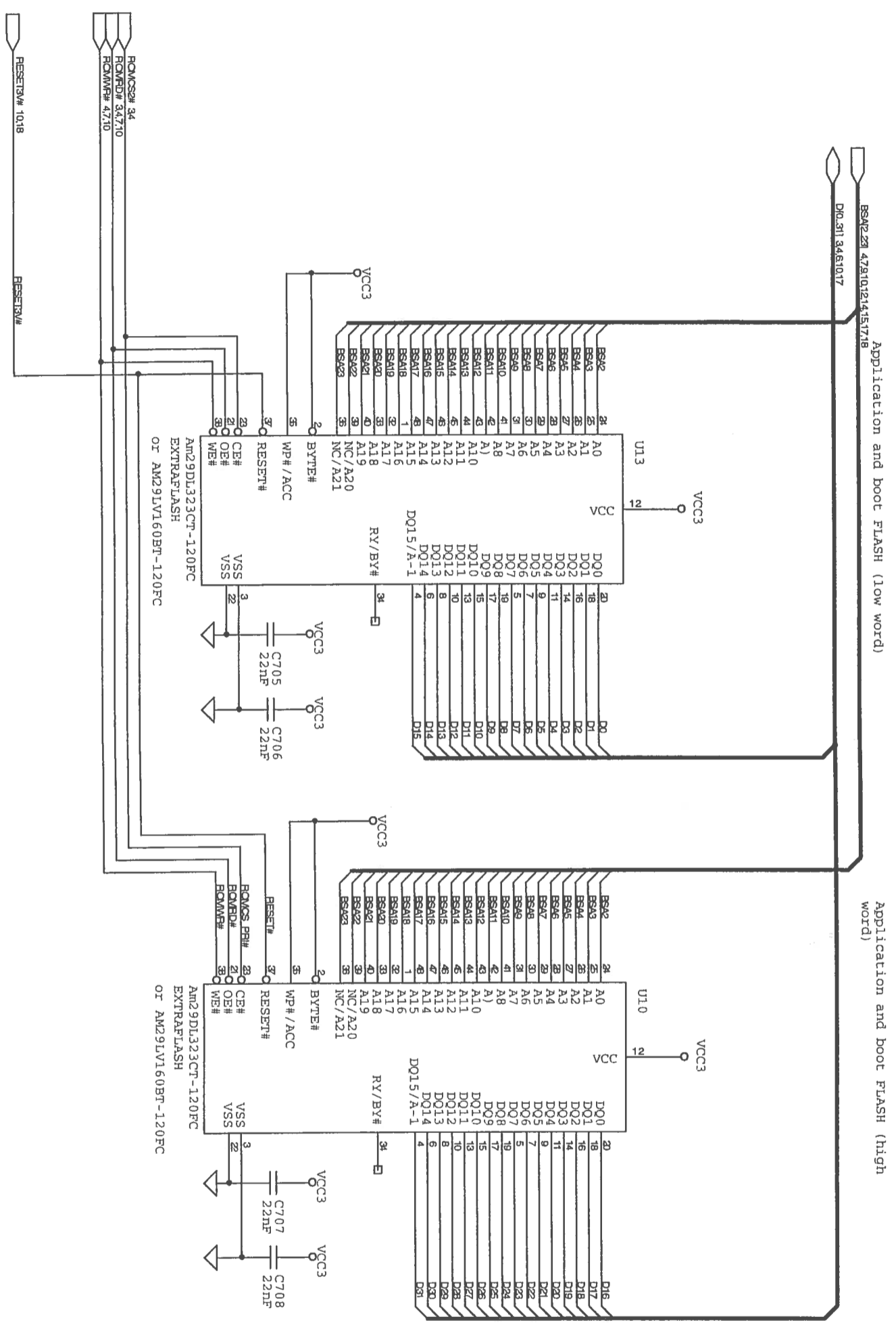
Use Option TESTEPROM only for initial tests

NOTE!
Components for test only.
May be placed under
Smartcard.

PCTVnet ASA
Strandveien 50
N-1324 LYSAKER
Norway

HomePilot - EPROM

Title	HomePilot - EPROM
Size	A3
Document Number	114-00001 AAAA 2.03
Date	Wednesday, January 13, 1999
Sheet	7 of 22
Rev	2.01



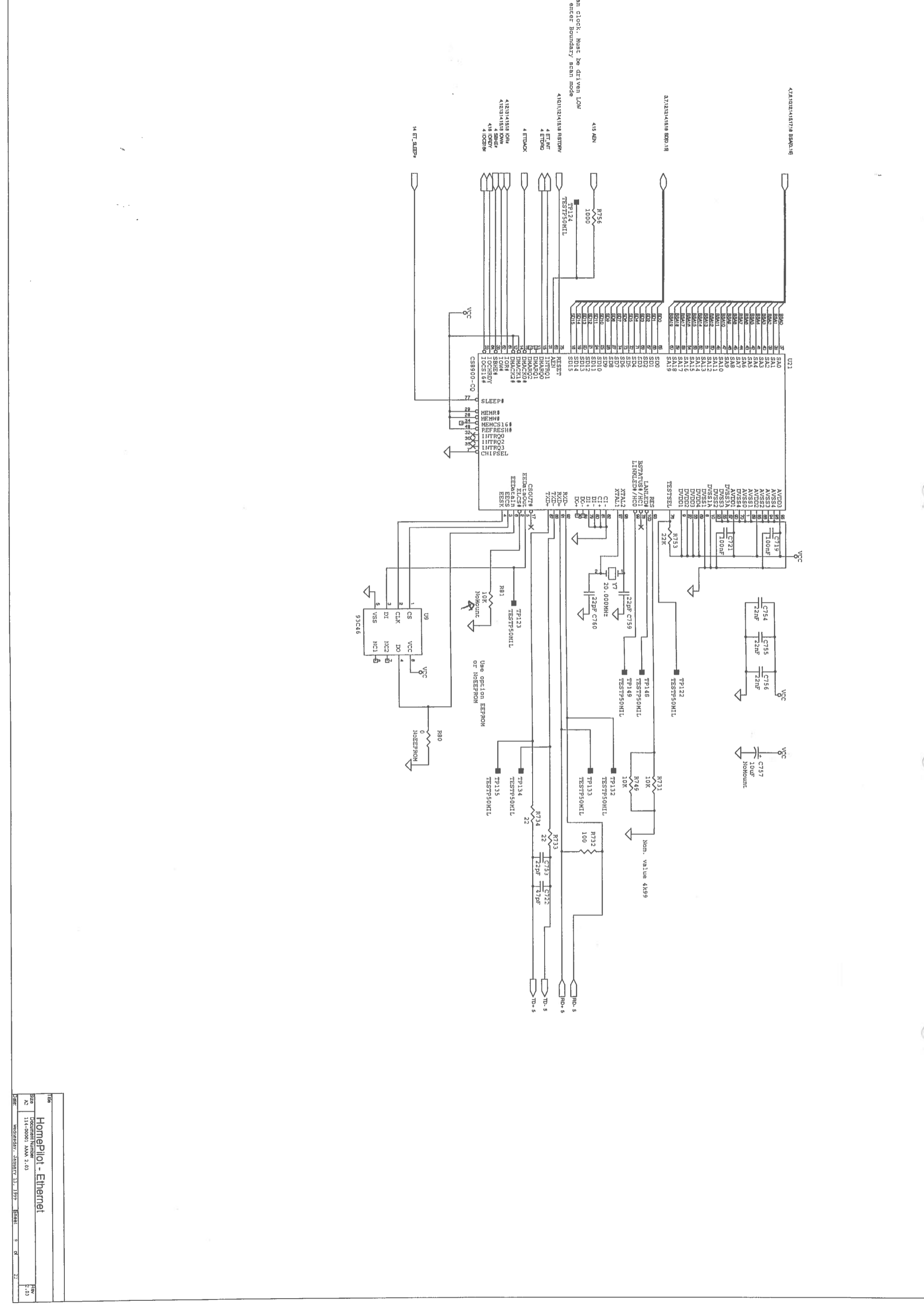
BSA2 23 47910214151718
 DQ.511 3461017
 Application and boot FLASH (low word)

Application and boot FLASH (high word)

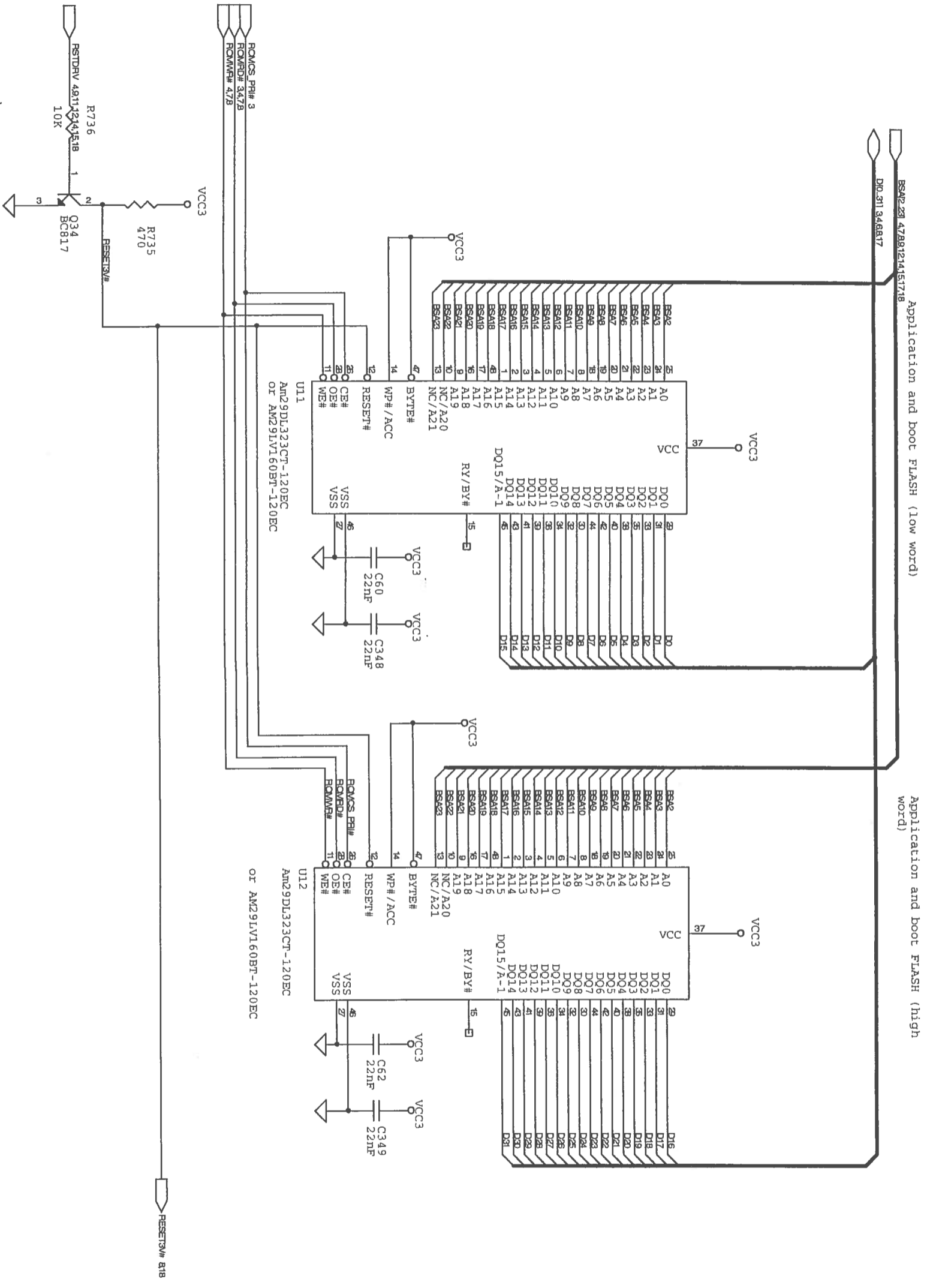
PCTVnet ASA
 Strandveien 50
 N-1324 LYSAKER
 Norway

HomePilot - EXTRAFLASH

Title: HomePilot - EXTRAFLASH
 Document Number: 114-00001 AAAA 2.03
 Size: A3
 Date: Wednesday, January 13, 1999
 Sheet: 8 of 22
 Rev: 2.02



Boundary scan clock. Must be driven LOW
TESTSEL# to enter Boundary scan mode

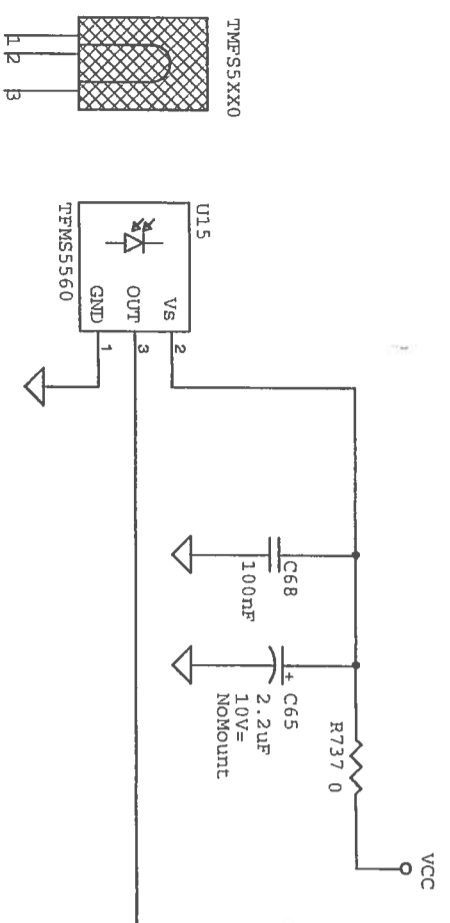


PCTVnet ASA
 Strandveien 50
 N-1324 LYSAKER
 Norway

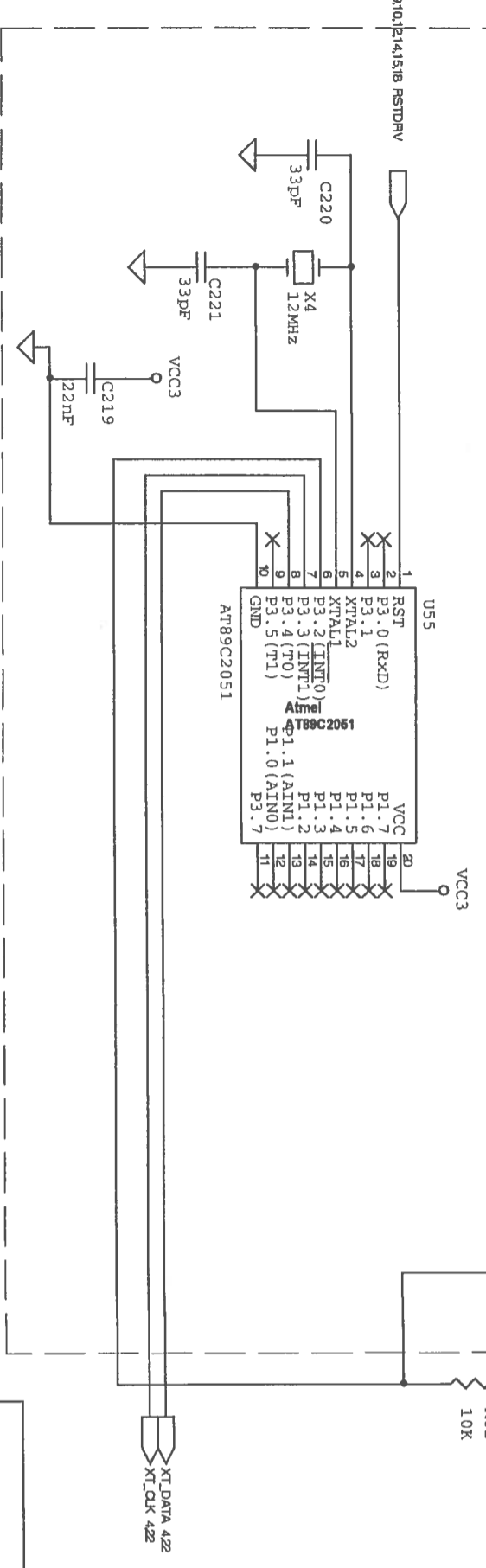
HomePilot - FLASH

Title
 Size A3
 Document Number 114-00001 AAAA 2.03
 Date: Wednesday, January 13, 1999
 Sheet 10 of 22
 Rev 2.02

IR and Serial Port

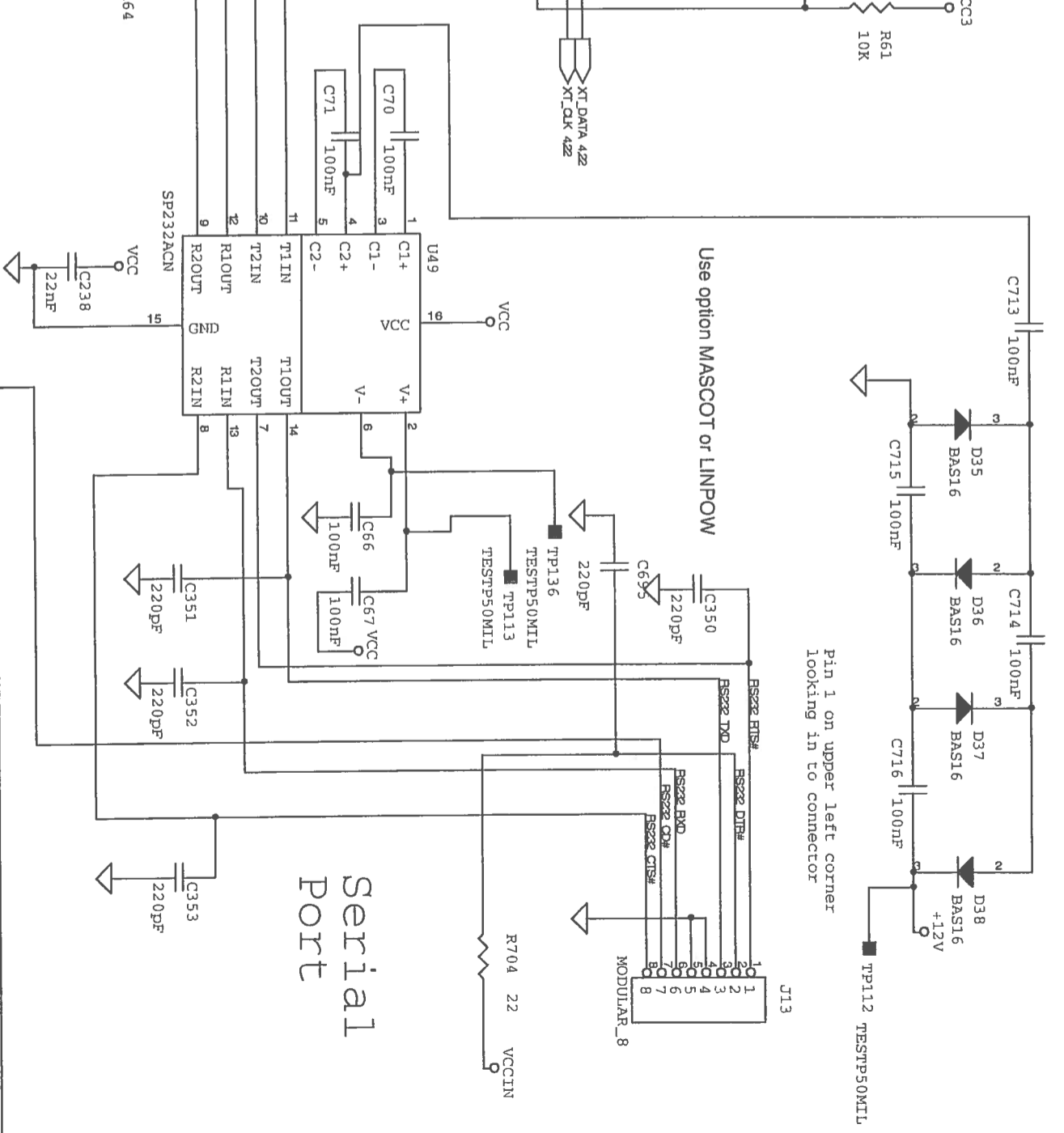


Use Option NOSMART when not using smartcard

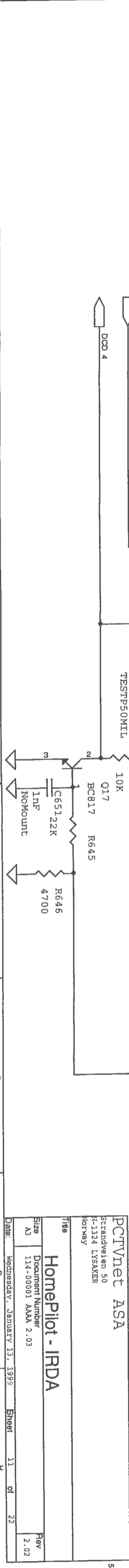


Pin 1 on upper left corner looking in to connector

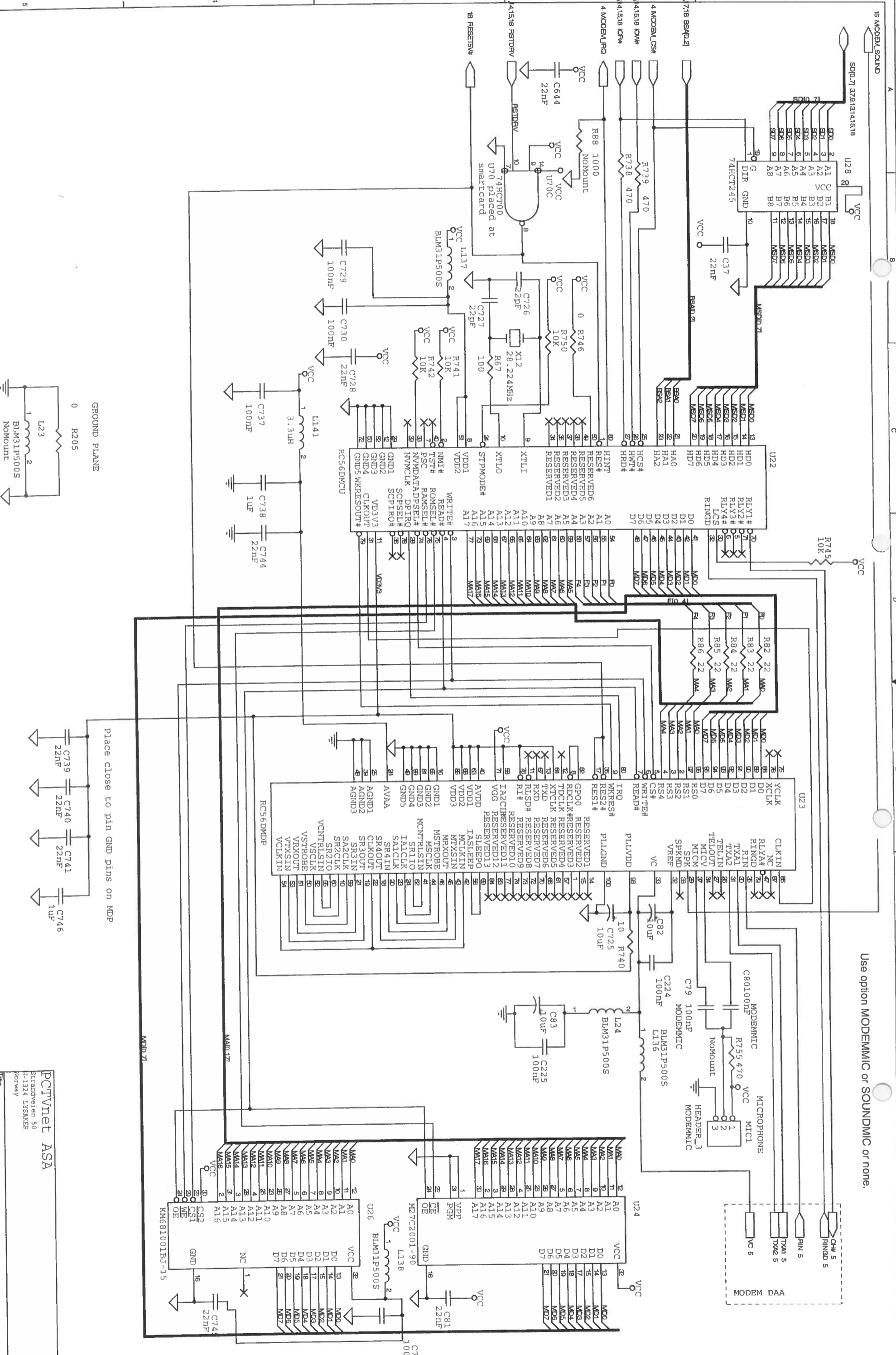
Use option MASCOT or LINPOW



Serial Port

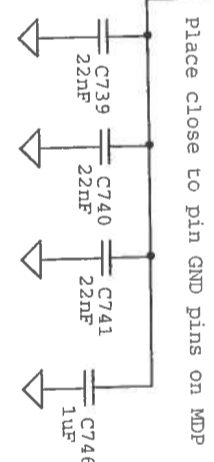


PCTVnet ASA	
Strandveien 50	
N-1324 LISAKER	
NORWAY	
Title	HomePilot - IRDA
Size	Document Number
A3	114-00001 AAAA 2.03
Date:	Wednesday, January 13, 1999
Page	11 of 22
Rev	2.02



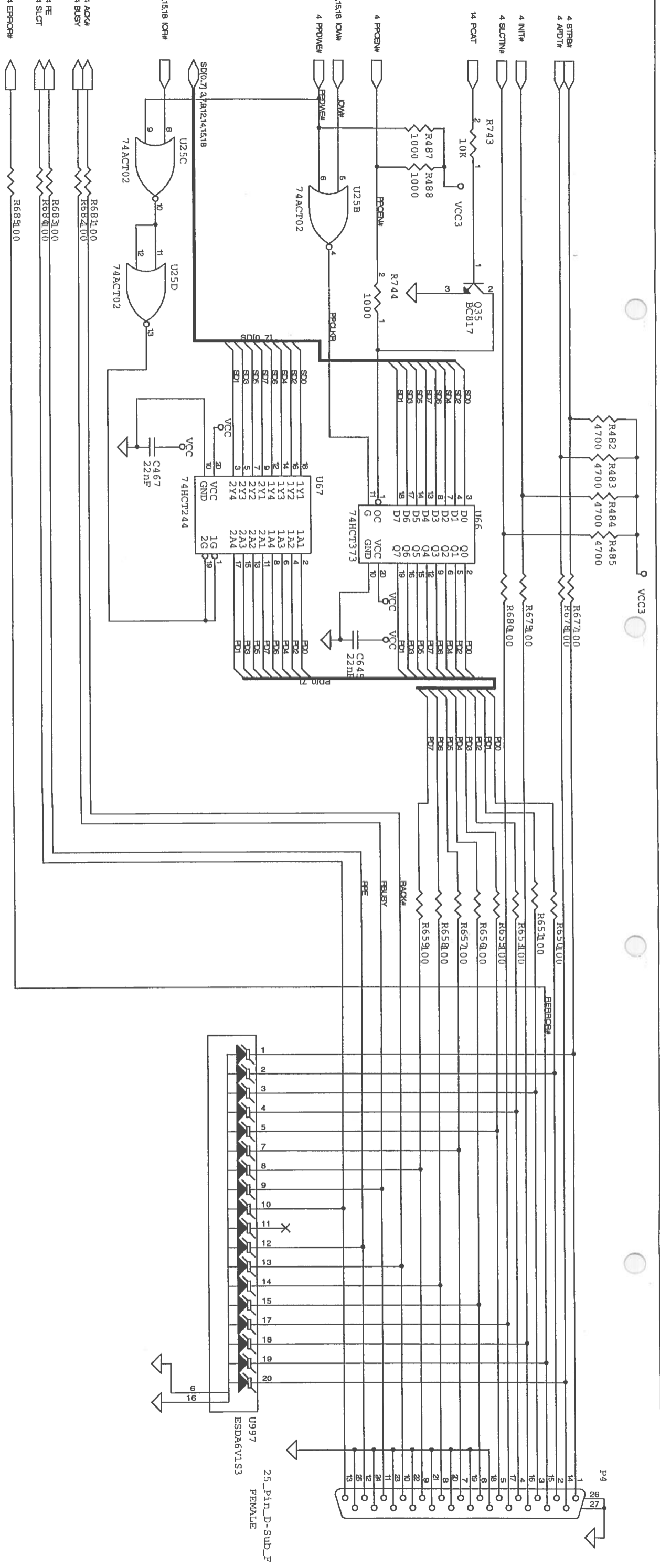
Use option MODEMMIC or SOUNDMIC or none.

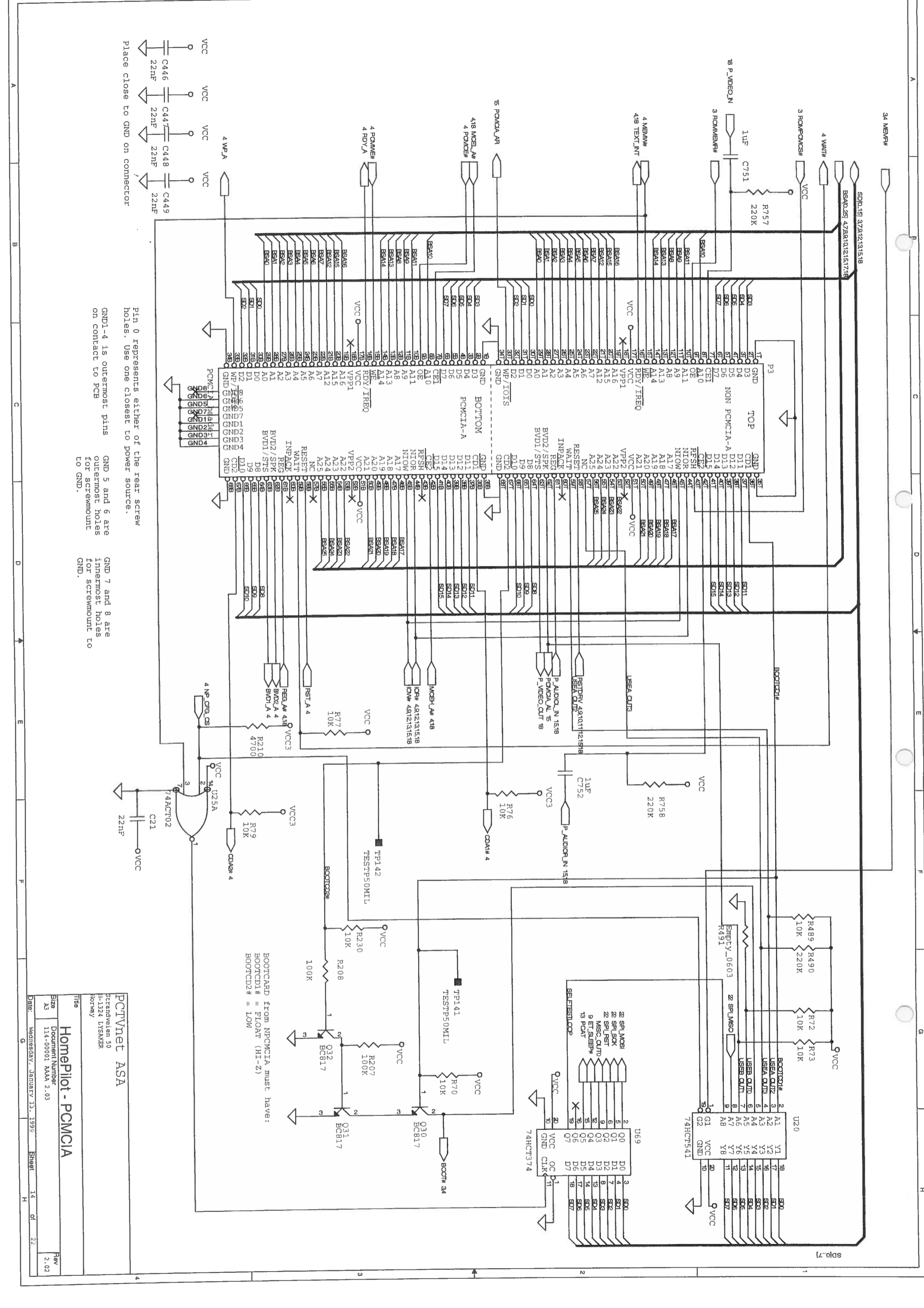
GROUND PLANE



The MAGND net must fill the ground plane in the analog domain of the modem circuit.

PCTVnet ASA	
Strandveien 50	
N-1324 LYSKER	
KOTWAY	
Title	HomePilot - Modem
Size	Document Number
A3	114-00001 Modem 2.03
Date:	Wednesday, January 13, 1999
Sheet	12 of 22
Rev	2.03





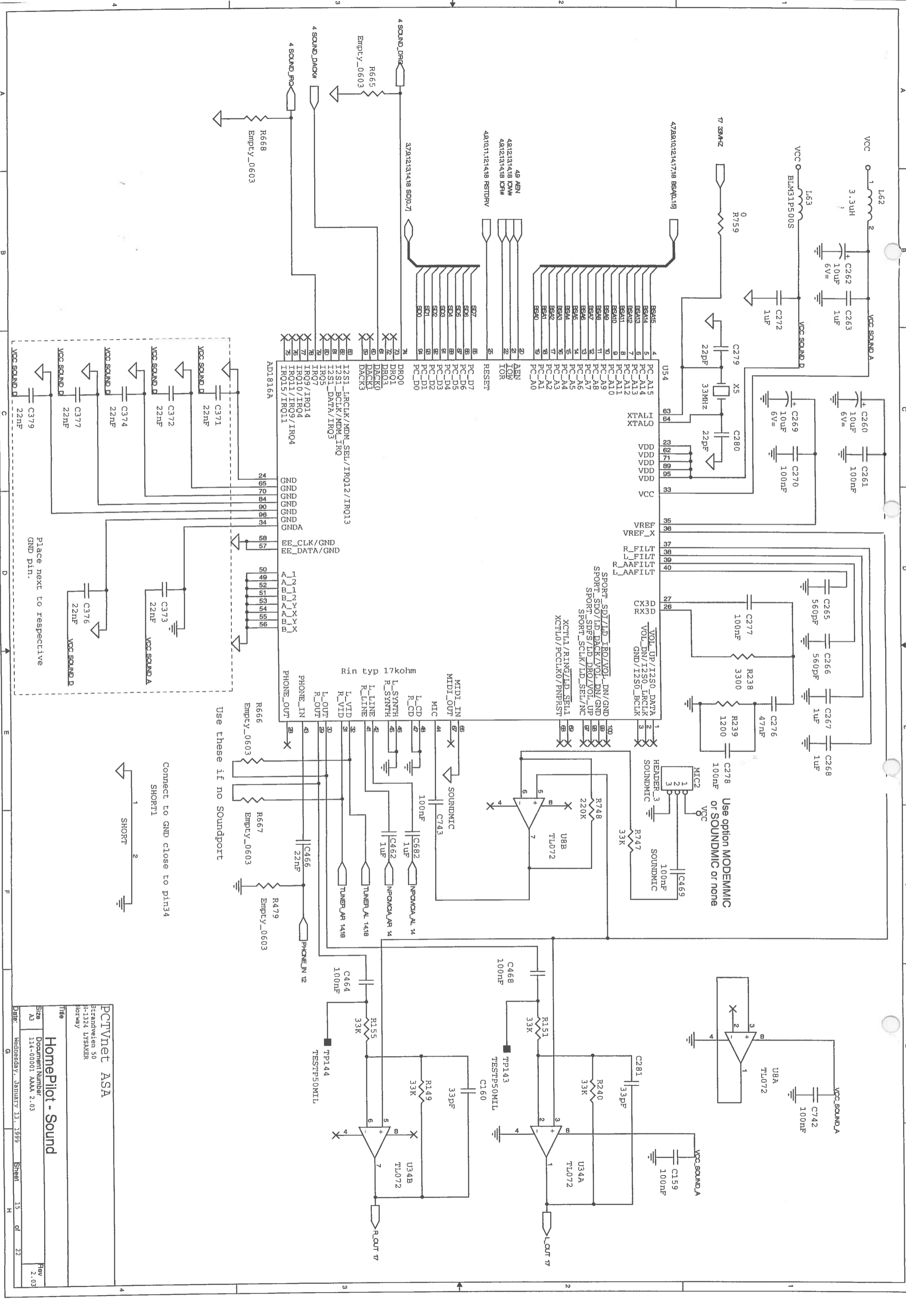
Place close to GND on connector

Pin 0 represents either of the rear screw holes. Use one closest to power source.

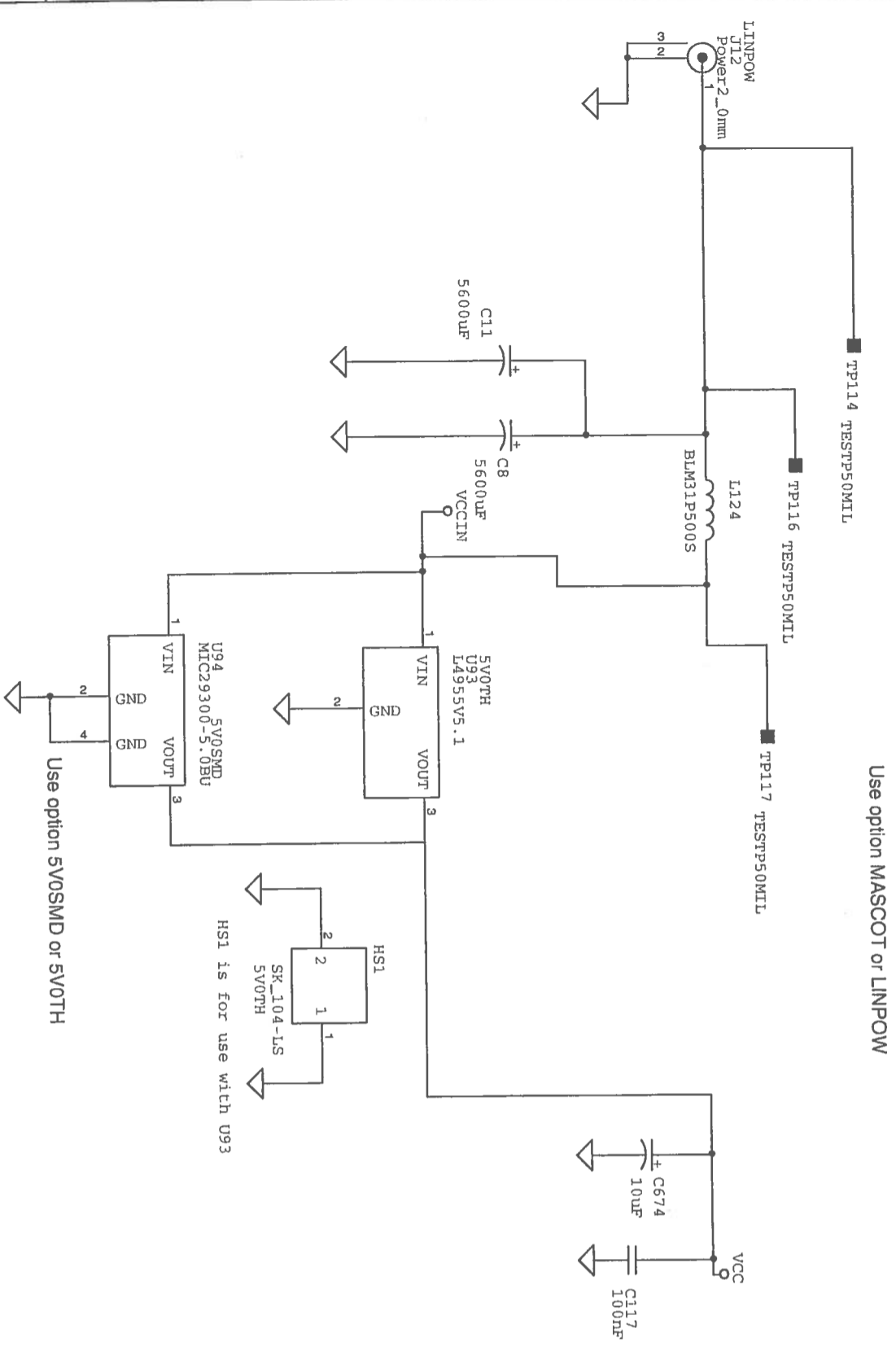
GND1-4 is outermost pins on contact to PCB for screwmount to GND.

GND 5 and 6 are innermost holes for screwmount to GND.

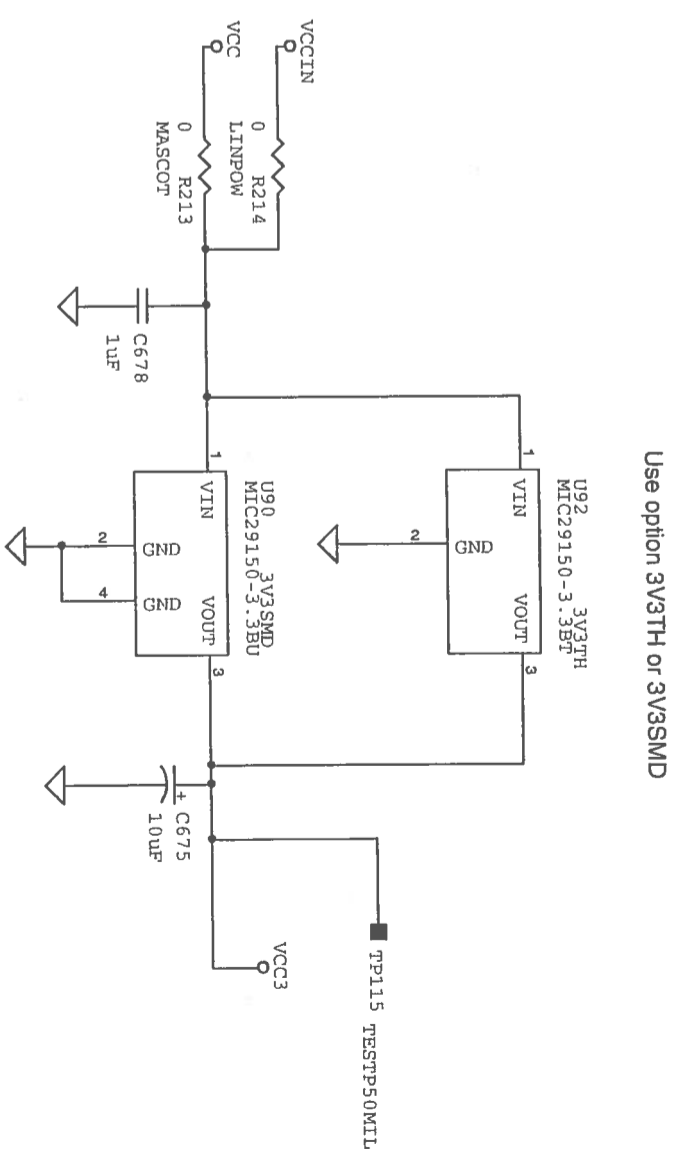
GND 7 and 8 are innermost holes for screwmount to GND.



PCTVnet ASA	
Strandveien 50	
N-1324 LYSAKER	
Norway	
HomePilot - Sound	
Document Number	114-00001 A00A 2.03
Size	A3
Date	Wednesday, January 13, 1999
Sheet	15 of 22
Rev	2.03



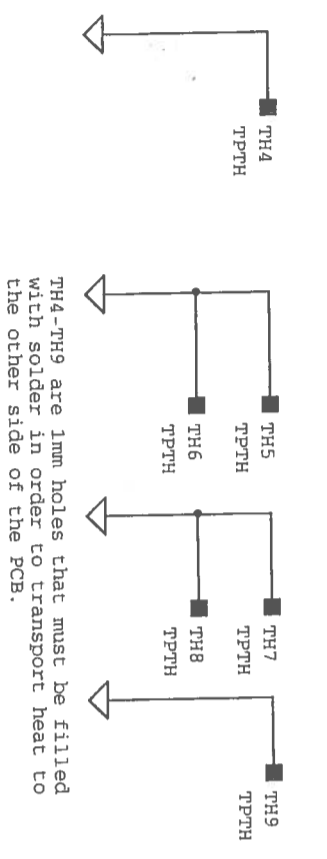
Use option MASCOT or LINPOW



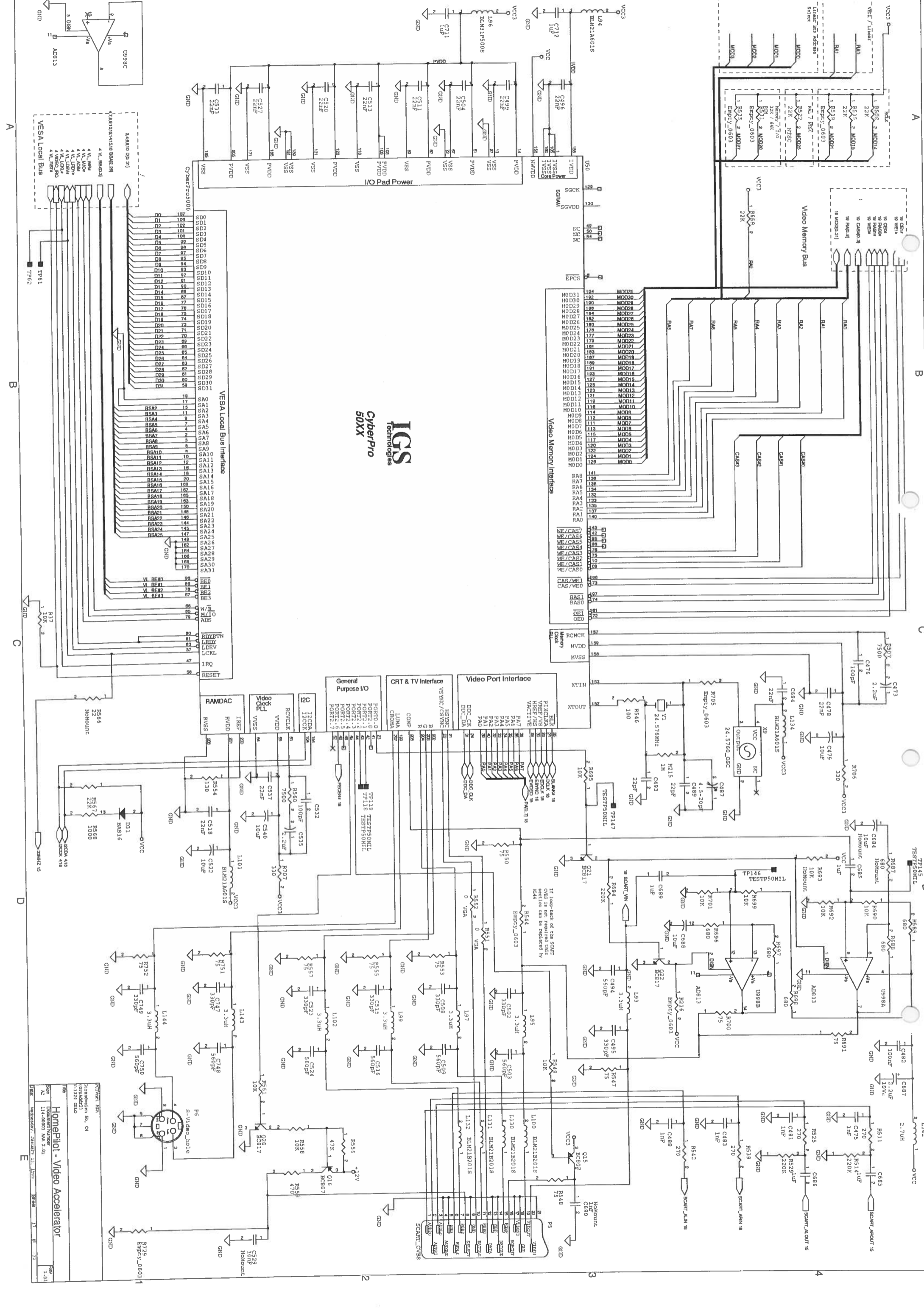
Use option 3V3TH or 3V3SMD

HS1 is for use with U93

Use option 5V0SMD or 5V0TH



TH4-TH9 are 1mm holes that must be filled with solder in order to transport heat to the other side of the PCB.

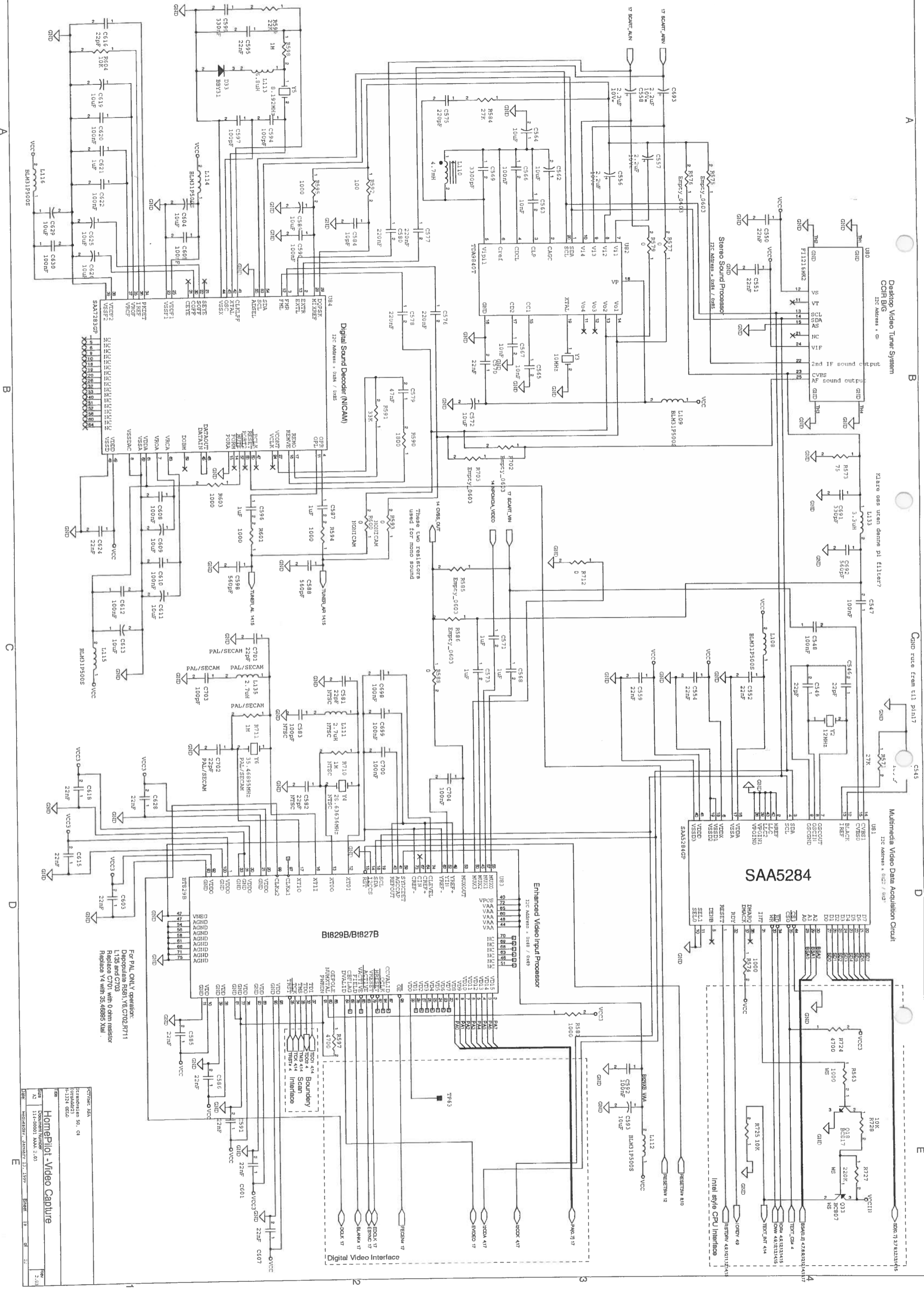


IGS
CyberPro
50XX

A
B
C
D
E

1
2
3
4
5

HomePilot - Video Accelerator
Size: 114x10000 MM 2.01
Date: 11/13/98
Author: [Name]



A

A

B

B

C

C

D

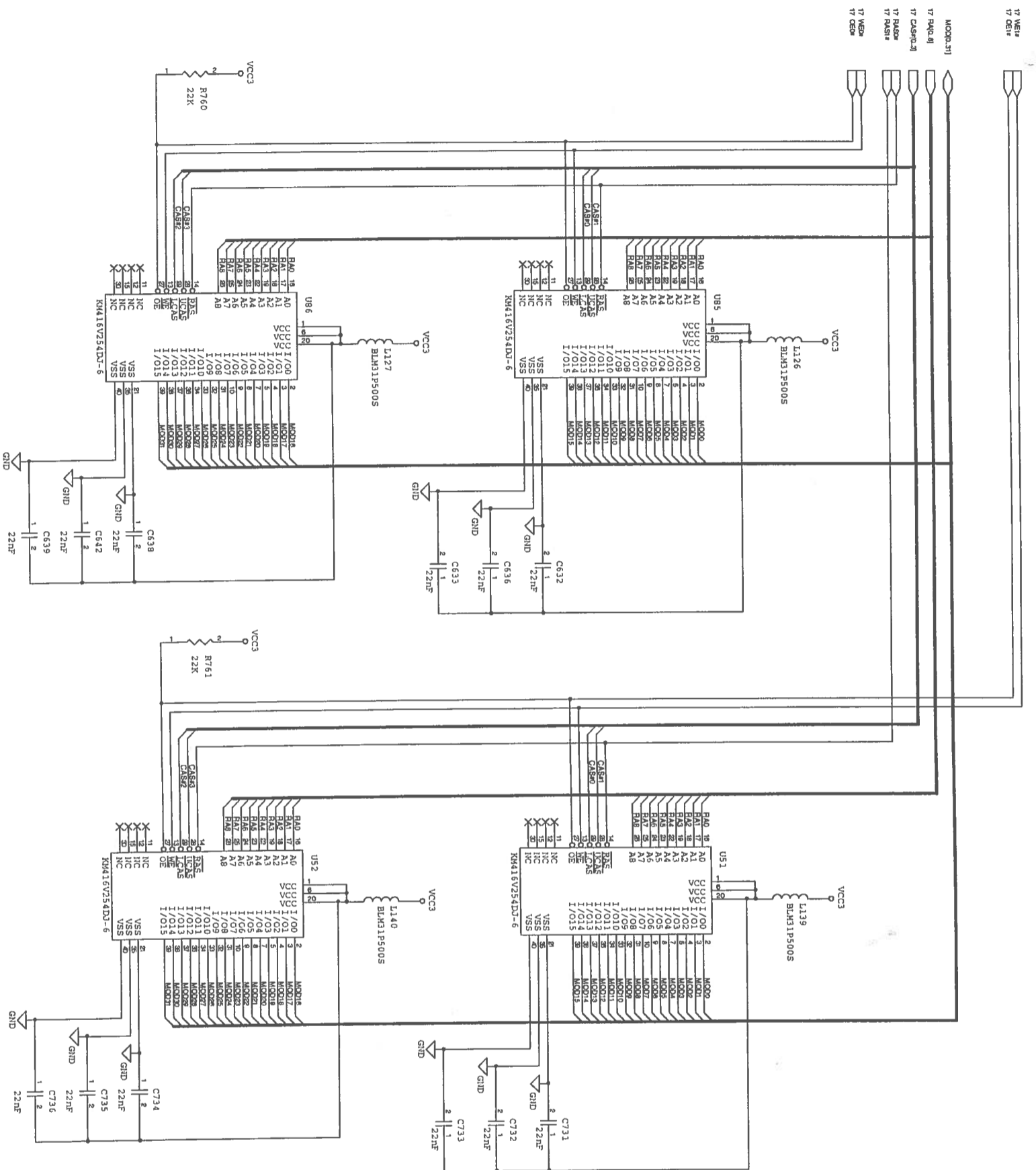
D

E

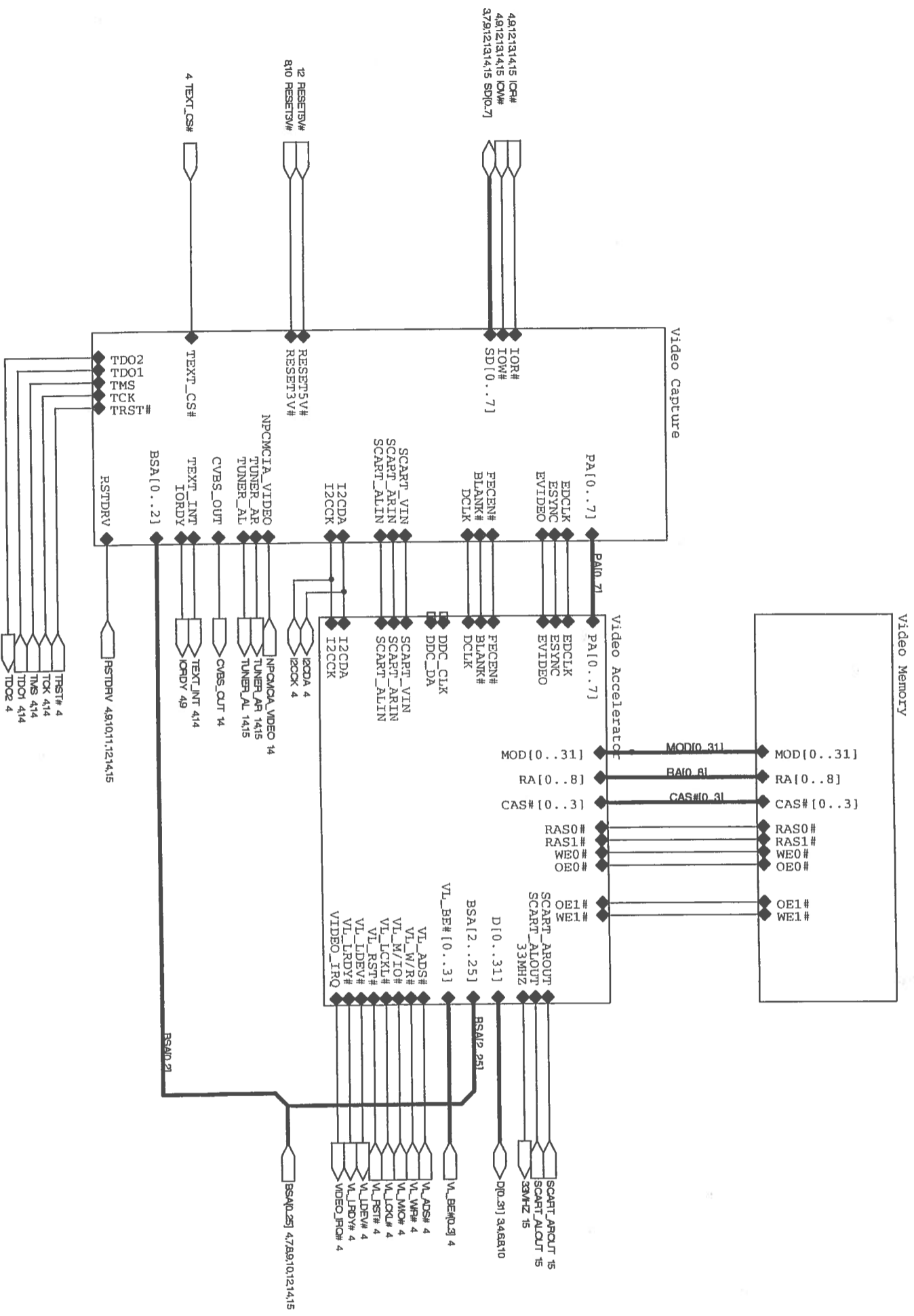
E

For PAL ONLY operation:
 Demodulator R581 Y6/C702/R711
 L135 and C703
 Replicator C701 with 0.01m resistor
 Replicator Y4 with 35.48895 KHz

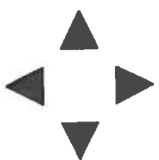
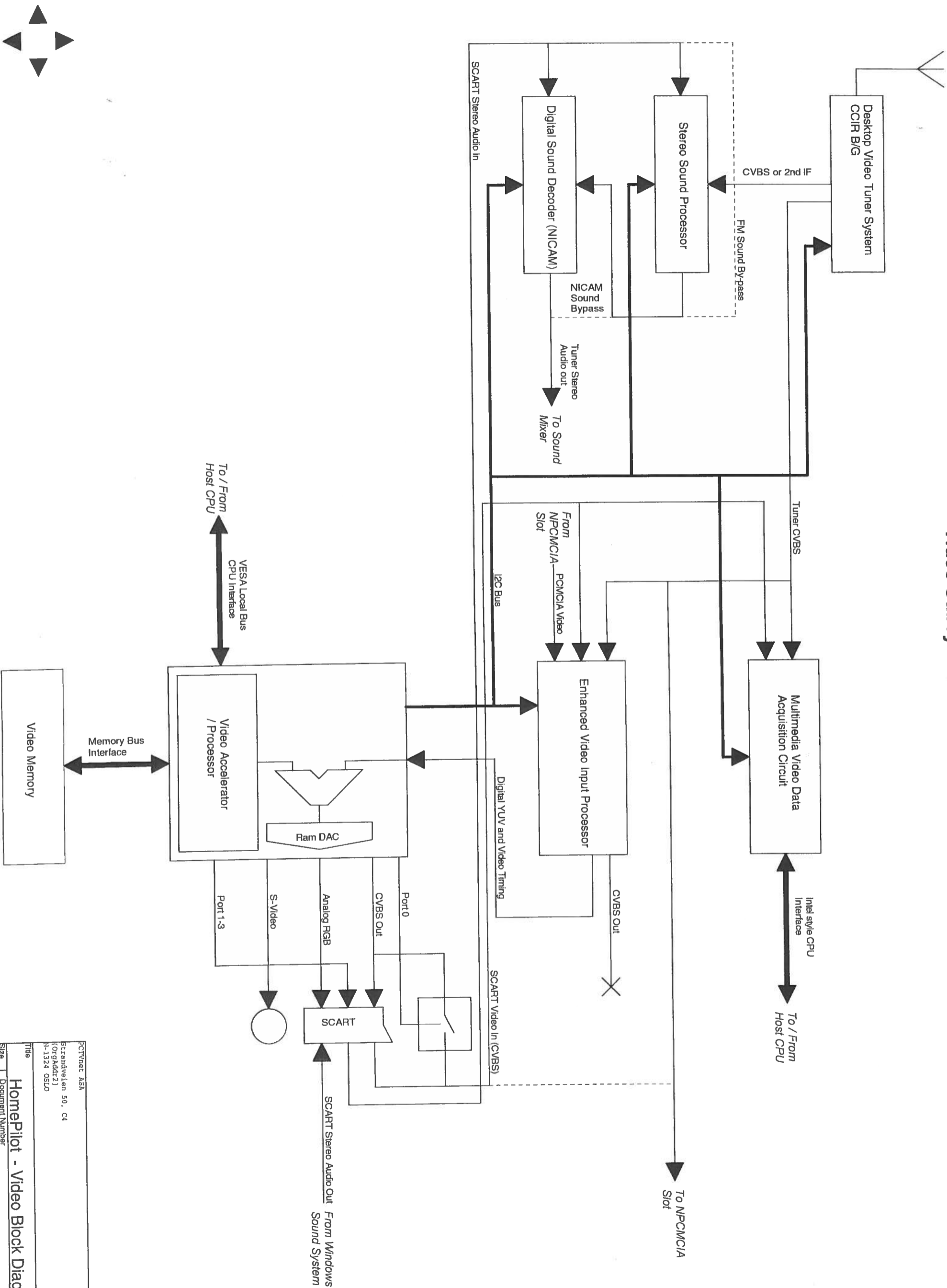
REV	01	DATE	11/13/82
DESIGNED BY	S. J. ...		
CHECKED BY	...		
APPROVED BY	...		
DATE	11/13/82		
SIZE	A2		
QUANTITY	114-00001 MAX 2.01		
REVISION	1		
DESCRIPTION	HomePilot - Video Capture		
FILE	...		



PC-Teil-Nr.	118
Stromkreis	50, C4
Hersteller	OSAKACI
Part-Nr.	118 0010
HomePilot - Video Memory	
Umsatz-Nr.	118-0001
Rev.	2.03
Hersteller	HERBERT, JEREMY, L.J. 1979
Blatt	19
Blattanzahl	22

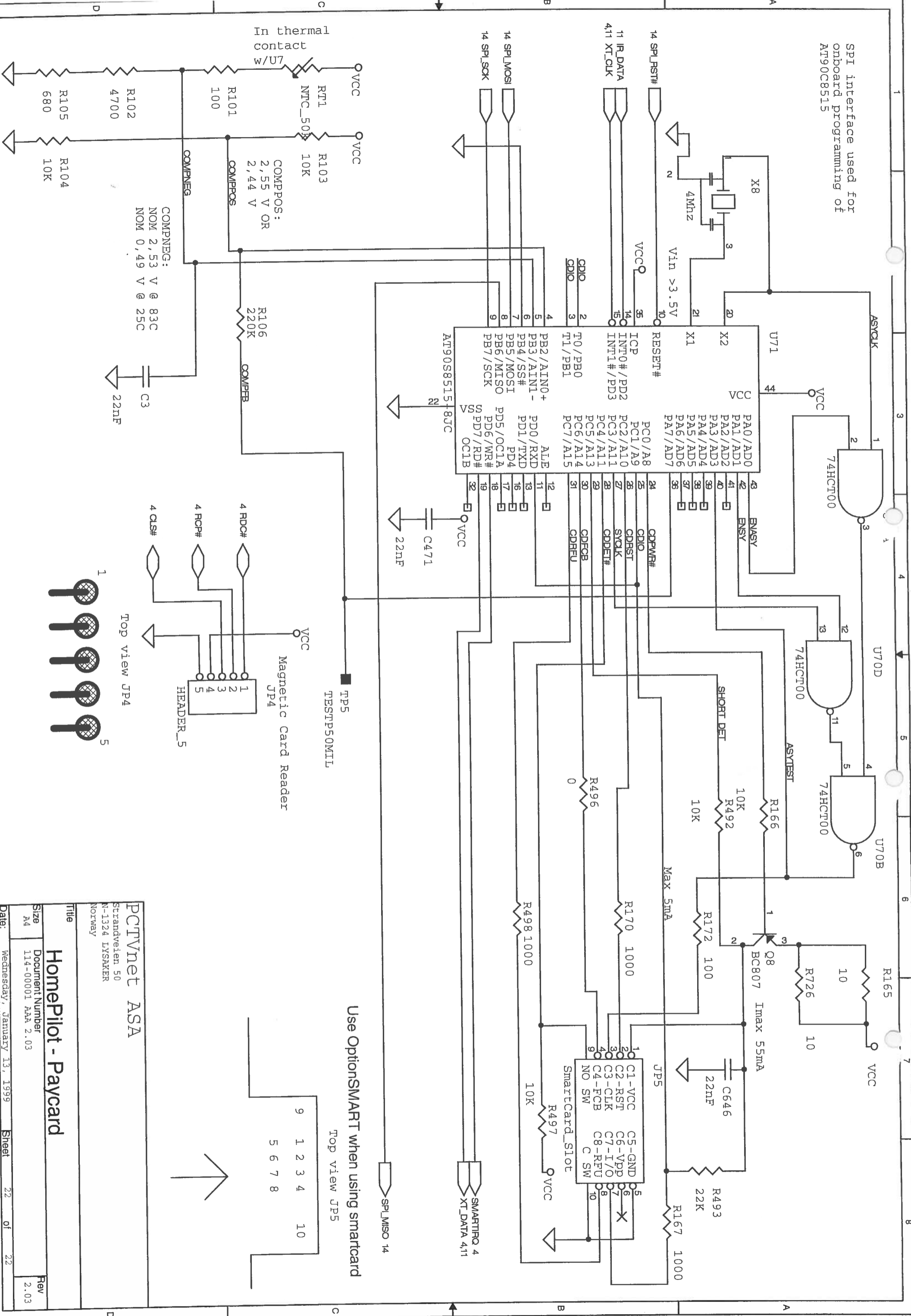


Video Subsystem



EQT/Inet ASA	
Strandveien 50, C4	
(Oslo)	
N-1324 OSLO	
Title	
HomePilot - Video Block Diagram	
Size	Document Number
A3	114-00001 AAAA 2.03
Date:	Wednesday, January 13, 1999
Sheet	21 of 22
Rev	2.0

SPI interface used for onboard programming of AT90C8515



COMPNEG:
NOM 2,53 V @ 83C
NOM 0,49 V @ 25C

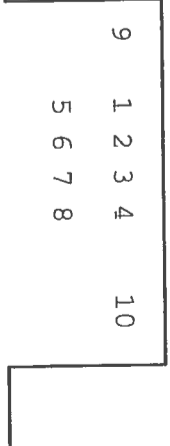
COMPPOS:
2,55 V OR
2,44 V

Use OptionsSMART when using smartcard

Top view JP4



Top view JP5



PCTVnet ASA
Strandveien 50
N-1324 LYSAKER
Norway

HomePilot - Paycard

Document Number
114-00001 AAA 2.03

Date: Wednesday, January 13, 1999

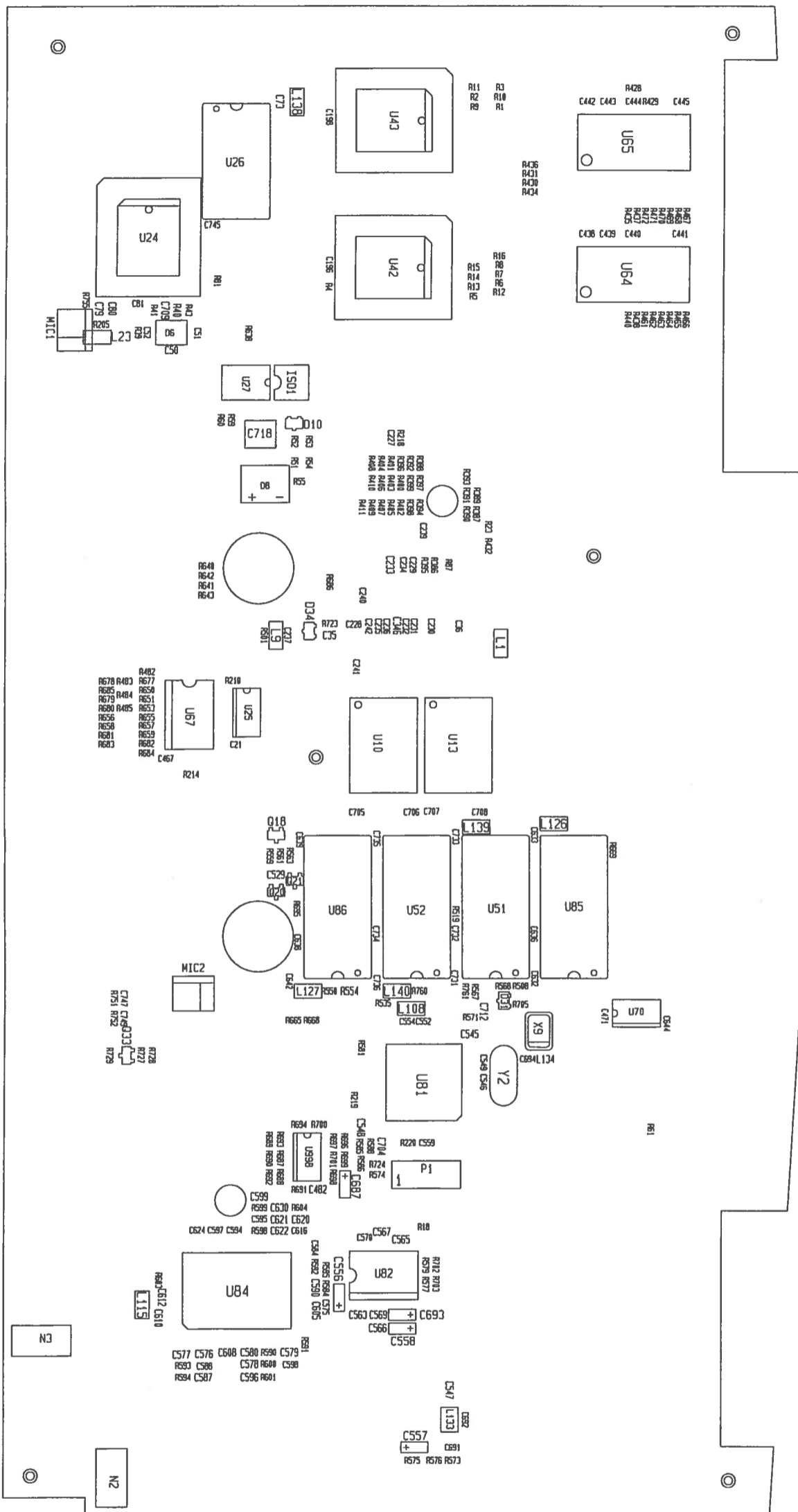
Rev
2.03

Sheet 22 of 22

REVISION	NO.	DATE	FILE
CT/EP/JF	HomePilot 2.03	REV.	SEE BELOW
DOC. RESPONSE / APPROVED			
TITLE	PRINTED BOARD ASSEMBLY		
	HomePilot		

SCALE 1.5 : 1

(A2 rescaled to fit A3 sheet)



A B C D E F G H I J K L M N O P Q R

U1 U2 U3 U4 U5 U6 U7 U8 U9 U10 U11 U12 U13 U14 U15 U16 U17 U18 U19 U20 U21 U22 U23 U24 U25 U26 U27 U28 U29 U30 U31 U32 U33 U34 U35 U36 U37 U38 U39 U40 U41 U42 U43 U44 U45 U46 U47 U48 U49 U50 U51 U52 U53 U54 U55 U56 U57 U58 U59 U60 U61 U62 U63 U64 U65 U66 U67 U68 U69 U70 U71 U72 U73 U74 U75 U76 U77 U78 U79 U80 U81 U82 U83 U84 U85 U86 U87 U88 U89 U90 U91 U92 U93 U94 U95 U96 U97 U98 U99 U100

PREPARED	SAU. RESPONS.	NO.	HOMEPI10T 2.03
DATE	DATE	REV.	FILE
2003-01-14	SEE BELOW		
TITLE	PRINTED BOARD ASSEMBLY		
KRETSKORT	HOMEPI10T		

SCALE 1.5 : 1
(A2 rescaled to fit A3 sheet)

